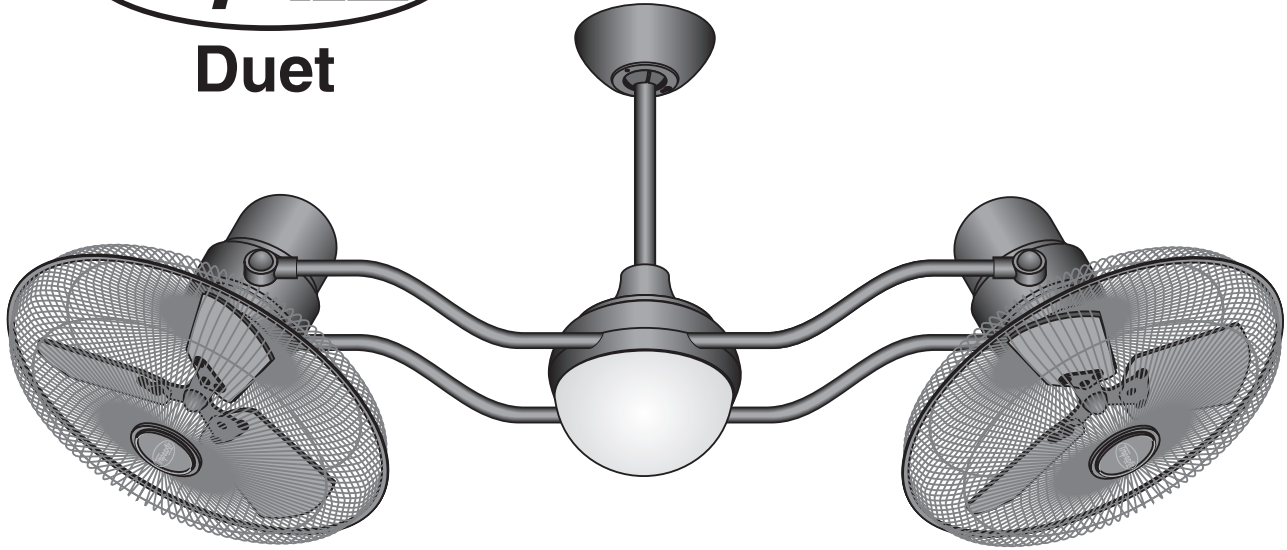


# Owner's Manual



**Duet**



Model No: 15NDB-L

This instructions contains 5 pages:

Page 1: Foreword

Page 2: Unpack and inspect parts contained, and pre-installation notes

Page 3: Preliminary assembly

Page 4: Hanging system installation, and remote setting and placement

Page 5: Wire connection, canopy installation, and light cover installation

Net Weight

6.26 KGS

13.8 LBS

**Toll Free 1-855-676-7247**

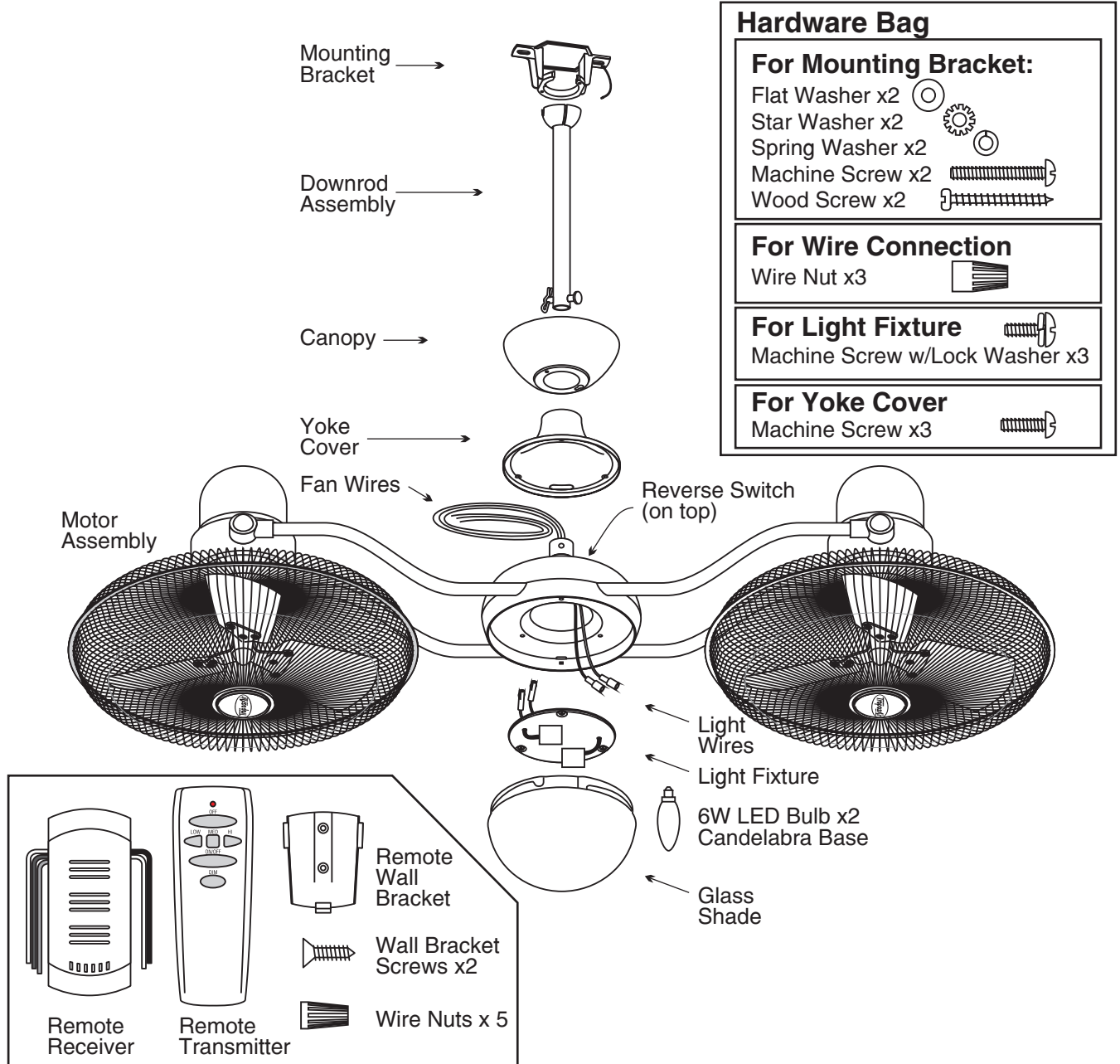
**WARNING: Read and follow these instructions carefully and be mindful of all warnings shown throughout.**

# READ AND SAVE THESE INSTRUCTIONS

## WARNING : TO REDUCE THE RISK OF FIRE, ELECTRICAL SHOCK, OR INJURY TO PERSONS, PLEASE OBSERVE THE FOLLOWING:

- 1.] To ensure success of installation, be sure read these instructions and review the diagrams thoroughly before beginning.
- 2.] **To avoid possible electric shock, be sure electricity is turned off at the main power box before wiring.**  
All electrical connections must be made in accordance with local codes, ordinances and/or the National Electrical Code. If you are unfamiliar with the methods of installing electrical wiring and products, secure the services of a qualified and licensed electrician as well as someone who can check the strength of the supportive ceiling members and make the proper installations and connections.
- 3.] Make sure that your installation site will not allow rotating fan heads to come into contact with any object. Blades should be at least 7 feet from the floor when fan is in operation.
- 4.] If possible, mount ceiling fan on a ceiling joist - the joist must be able to support the motion and weight of the moving fan. If the fan will be mounted on a ceiling outlet box, a 4" x 2 - 1/8" deep METAL octagon box is required; one UL listed as "suitable for fan support". The box and its supporting members must not be able to twist or work loose. **DO NOT USE PLASTIC BOXES.** Installation on a concrete ceiling should be performed by qualified personnel.
- 5.] After making electrical connections, spliced conductors should be turned upward and pushed carefully up into the outlet box. The wires should be spread apart with the grounded conductor and the equipment-grounding conductor on one side of the outlet box and the "HOT" wires on the other side.
- 6.] Electrical diagrams are for reference only. Light kits that are not packed with the fan must be UL/ETL listed and should be installed per the light kit's installation instructions.
- 7.] After fan is completely installed, check to make sure that all connections are secure to prevent fan from falling and/or causing damage or injury.
- 8.] The fan can be made to work immediately after installation. The bearings are adequately charged with grease, so that, under normal conditions, further lubrication should not be necessary.
- 9.] The fan must be turned off and stopped before reversing fan direction.
- 10.] This fan is suitable for sloped ceiling.
- 11.] This fan is electrically reversible.
- 12.] This fan includes an integrated light kit.
- 13.] This fan is controlled by remote control.
- 14.] This fan is suitable for damp location use.

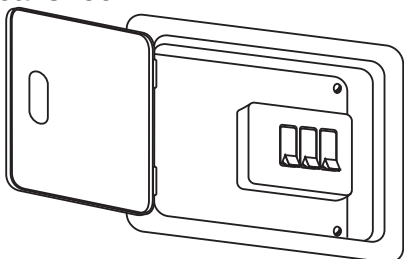
**Unpack and inspect fan carefully to be certain all contents are included.**



**WARNING: blades should be at least 7 feet from floor**

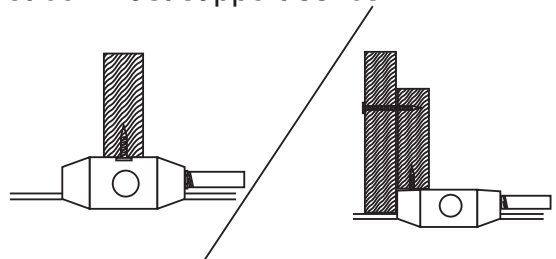
**Note 1:**

Turn off power at breaker box to avoid possible electrical shock.



**Note 2:**

Use metal outlet box suitable for fan support. Outlet box must support 35 lbs min.

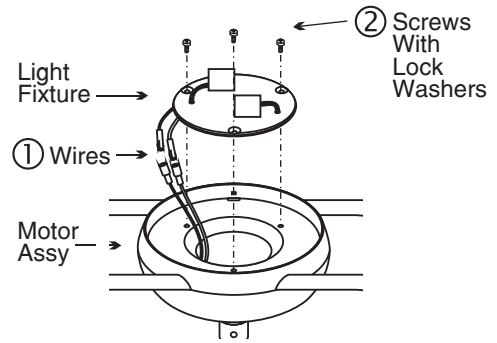


# 1. PRELIMINARY ASSEMBLY

## 1A. Installing Light Fixture

*Gently place Motor Assembly, cages-down, onto empty top styrofoam.*

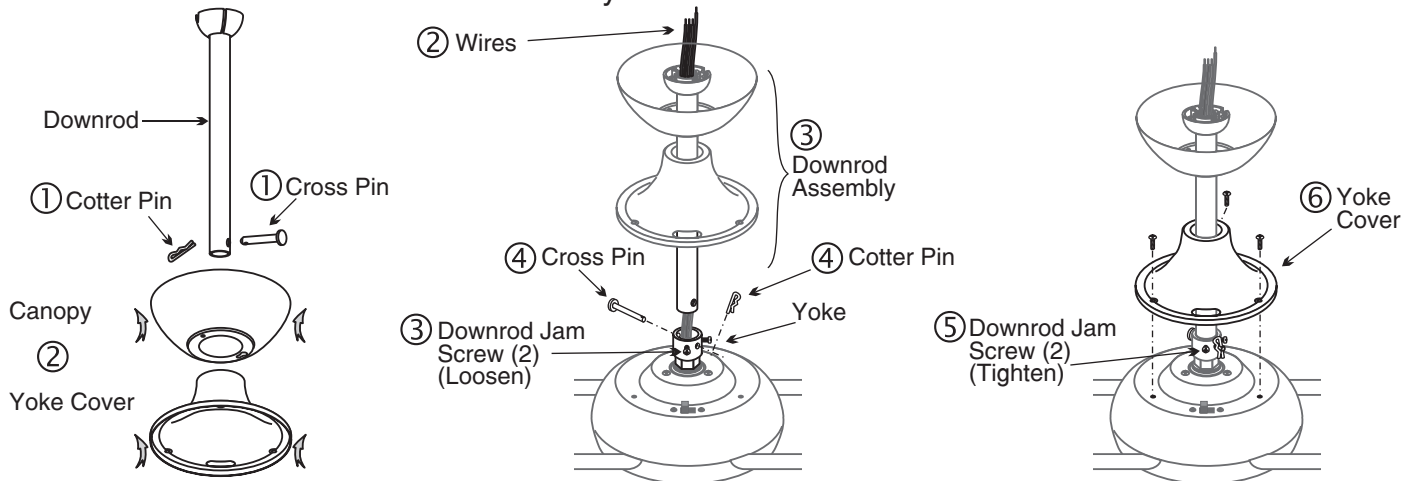
- ① Plug 2 Light Fixture wires into 2 Light Wires of Motor Assembly.  
*Rotate fixture to coil up slack wire into recess.*
- ② Attach Light Fixture to Motor Assembly with 3 screws with lockwashers.



## 1B. Installing Downrod and Yoke

*Gently place Motor Assembly, cages-up, onto empty top styrofoam.*

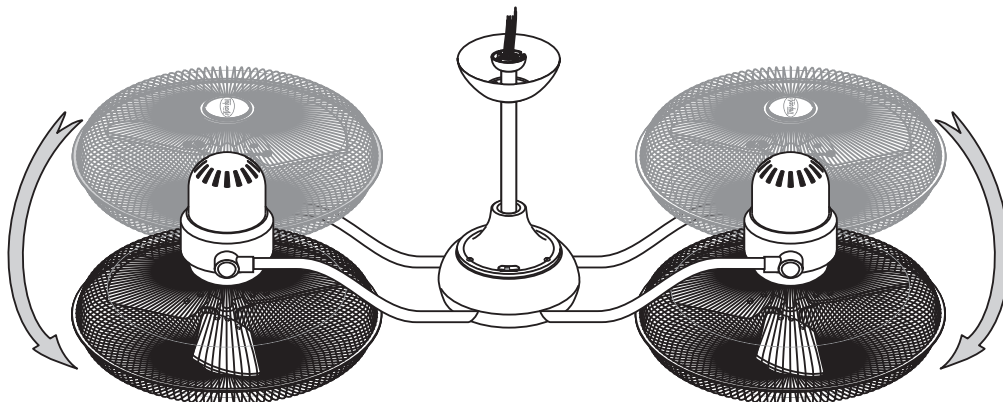
- ① Remove cross pin and cotter pin from downrod
- ② Insert downrod through canopy and yoke cover, and feed motor wires through downrod.
- ③ Loosen 2 downrod jam screws at yoke. Insert downrod assembly into yoke.
- ④ Insert the cross pin through yoke & downrod and secure with cotter pin.
- ⑤ Tighten both downrod jam screws to further secure downrod.
- ⑥ Attach Yoke Cover to Motor Assembly.



## 1C. Rotate Motors Downward

*To fit in the packaging the motors are facing in the wrong direction.*

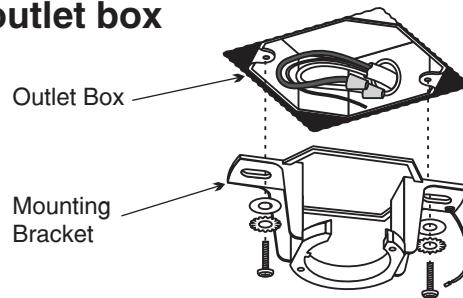
- ① Carefully rotate motors to a downward position.



## 2. HANGING SYSTEM INSTALLATION

### 2A. Installing mounting bracket to ceiling outlet box

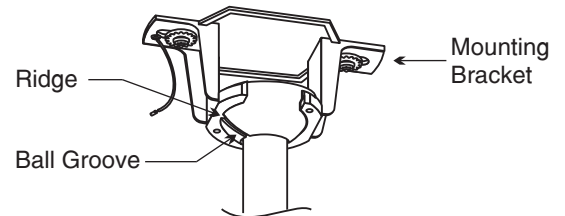
Install mounting bracket to outlet box in ceiling by using screws included with the outlet box and washers from the hardware bag.



### 2B. Hanging the fan

Lift fan assembly onto the mounting bracket.

Rotate the ball so that the groove on the ball engages the ridge on the mounting bracket.



## 3. REMOTE SETTING AND PLACEMENT

### 3A. Setting code switch for remote control

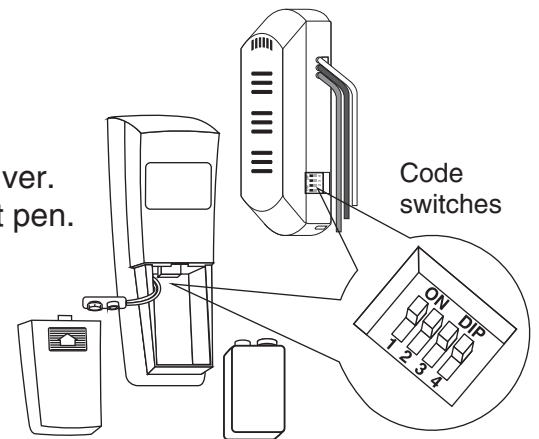
Remote controls are tuned to operate together using 4 switches for 16 possible code combinations.

#### 1. Setting the code on the RECEIVER:

- ① Code switch is located in small window on face of receiver.
- ② Slide code switch using a small screwdriver or ballpoint pen.  
(Slide each switch firmly up or down.)

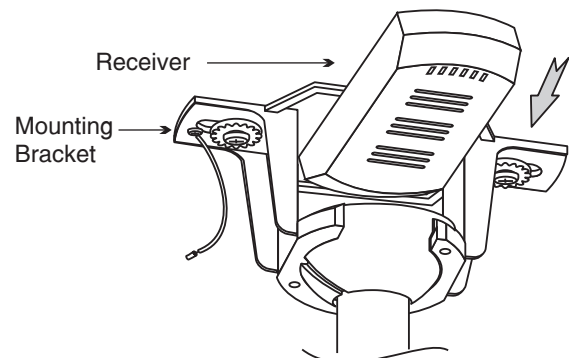
#### 2. Setting the code on the TRANSMITTER:

- ① Remove battery cover.
- ② Slide code switch to match code used on receiver unit
- ③ Install 9V DC battery (included).
- ④ Install battery cover



### 3B. Insert receiver into mounting bracket

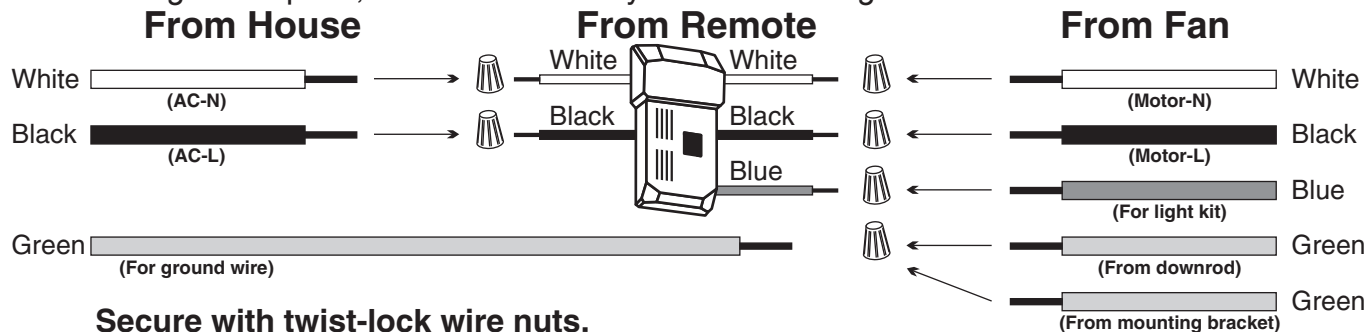
*Note: Do not squeeze all the wires while inserting the receiver into the mounting bracket.*



## 4. WIRING CONNECTION

### 4. Making electrical wire connection

Follow diagram below and make sure that all exposed wires are secured inside wire nuts. Note: Wires from house may vary in color and may not include ground wire (green). After wiring is complete, collect wires neatly inside mounting bracket.

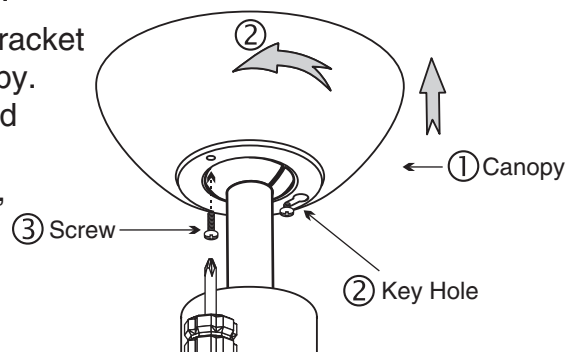


## 5. CANOPY INSTALLATION

### 5. Installing the canopy

Note: Two screws are pre-installed on mounting bracket for canopy installation. You will need to remove one and loosen the other slightly.

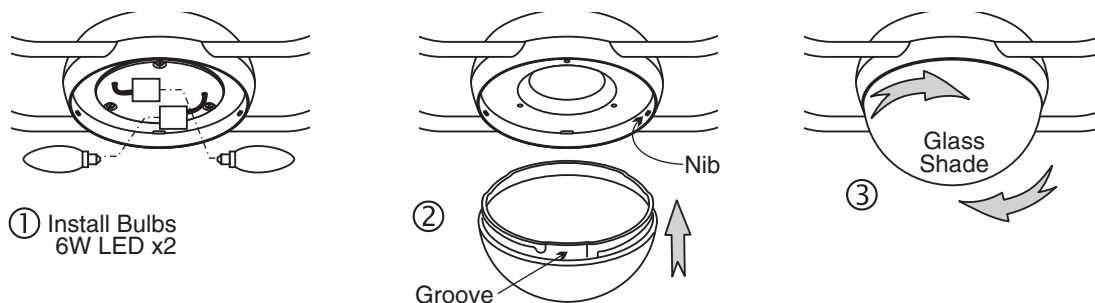
- ① Push up canopy until the screw still in the mounting bracket is engaged with the large end of the keyhole on canopy.
- ② Rotate canopy slightly until the screw head is engaged in the narrow end of the key hole.
- ③ Insert the remaining canopy screw into the other hole, and tighten both canopy screws.



## 6. LIGHT/COVER INSTALLATION

### 6A. Installing the Glass

- ① Install the 2 Candelabra bulbs into sockets.
- ② Lift glass to motor aligning the grooves in the neck of the glass to the nibs inside the light fixture.
- ③ Rotate glass clockwise to secure it to motor assembly.



## TURN POWER ON AT THE BREAKER

**Tips:** Motors can be tilted to the desired positions. To reduce wear on the center electrical bearing, tilt both motors to the same angle. The fastest overall rotation occurs when motors are pointing straight down.