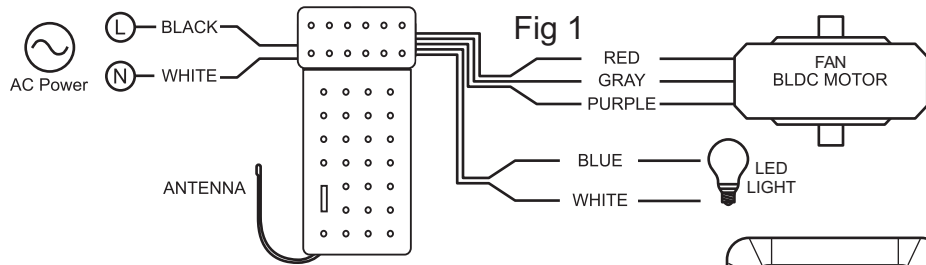


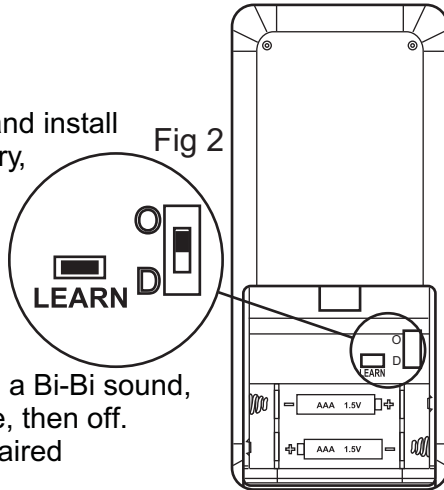
Important: Using a wall dimmer switch to control fan speed will damage the fan. To reduce the risk of fire or electrical shock, do not use a full range dimmer switch to control fan speed.

1. Switch power off at fuse box or circuit breaker before you begin installing the fan.
2. Make wiring connections as indicated Fig. 1. If more than one fan is being installed refer to last page for special considerations.



3. The remote pairing process:

- A. Open the remote battery cover and install DC1.5V/AAA 2pcs alkaline battery, with the fan power off. (Fig. 2)
- B. Within 30 seconds of restoring power to the fan, you must use a ball point pen or tool to press the "Learn" button about 2 secs. Once the receiver has detected the signal, the receiver will make a Bi-Bi sound, twice and the light will flash twice, then off. This indicates the receiver has paired successfully with the transmitter.



Note: After the AC power is on, do not press any other button on the transmitter before "learn". Doing so will cause the pairing process to fail.

After completing the steps above, you should be able to operate the ceiling fan and light. If the fan is not responding to the transmitter, please turn the power off to the receiver. And repeat step B.

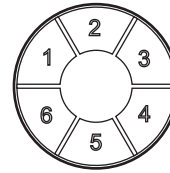
LIGHT FUNCTION SELECT SWITCH

The Light Function Select Switch should stay in the D setting unless the light fixture has a replaceable bulbs and is using non-dimmable LED or CFL bulbs. (Fig. 2)

FUNCTIONS OF REMOTE CONTROL

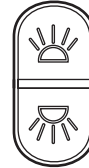


Turn off the ceiling fan.



Fan speed: Press and release immediately to turn on and set fan speed. (6 is for the highest fan speed)

Light buttons:



ON/OFF- Press and release immediately to turn on or off light.
DIMMER-Press and hold to dim or brighten light to the desired level and release.
 (LED only and light function select switch on dimmer position.)
 (Only when Light Function Select Switch is on "D" dimmer setting.)

Sleep Timers:



: The fan will turn off after 2 hours automatically.



: The fan will turn off after 4 hours automatically.



: The fan will turn off after 8 hours automatically.



: Natural breeze: Fan speed will modulate to simulate a natural breeze.

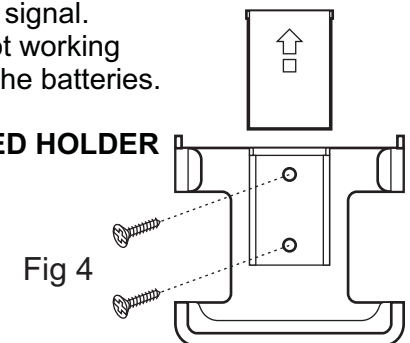


: Reverse button: Press and release immediately to set fan direction. The fan runs counterclockwise; Airflow will provide a downward cooling breeze. The fan runs clockwise. Airflow will force warm air downward without a noticeable breeze.

When you press transmitter button, the receiver will make Bi sound once as it receives the signal. If the red LED indicator of transmitter is not working as you press button, you need to change the batteries.

INSTALLING WALL MOUNTED HOLDER

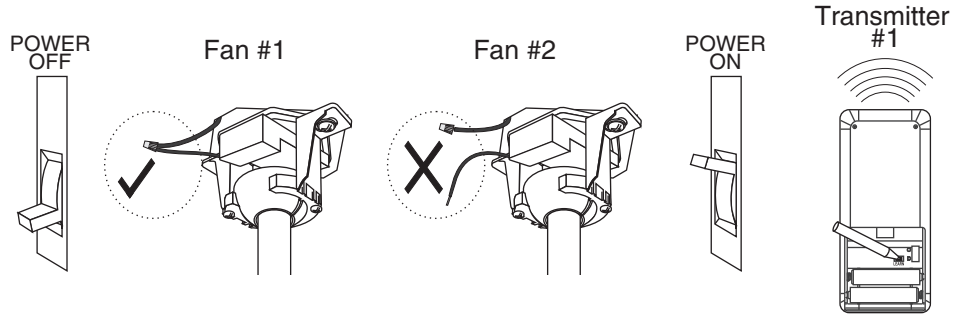
Attach wall mounted holder using the two provided screws. (Fig 4.)



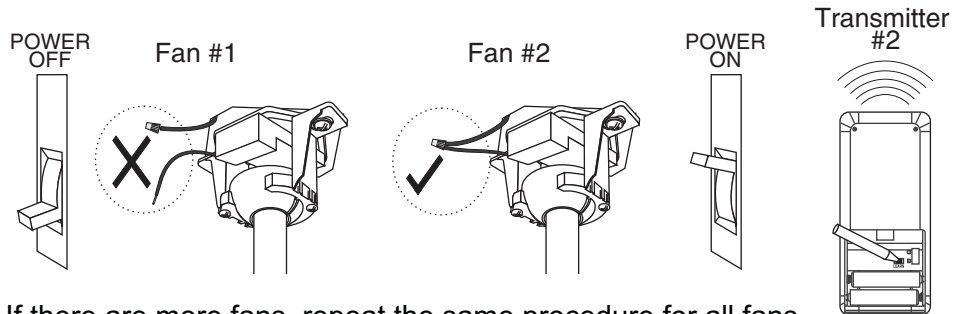
MULTIPLE FANS - SPECIAL CONSIDERATIONS

This remote control is designed to operate one fan from one transmitter. If multiple fans that use the pairing procedure are being installed on the same circuit breaker, they must be wired up and paired individually. Failure to do so will result in both fans responding to only the most recent remote transmitter.

Turn off power at the breaker. Wire up the first fan and leave the second fan unwired. Turn on power at the breaker. Press and hold the Learn button on the first fan's transmitter.

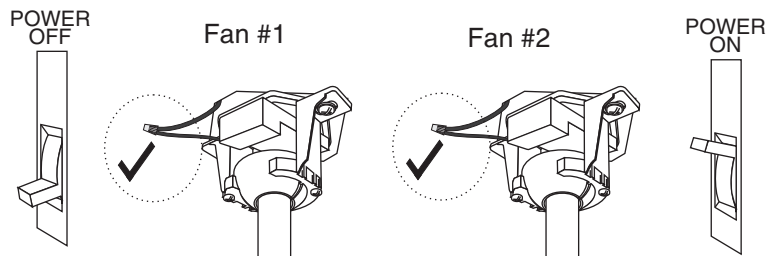


Turn off power at the breaker. Wire up the second fan and unwire the first fan. Turn on power at the breaker. Press and hold the Learn button on the second fan's transmitter.



If there are more fans, repeat the same procedure for all fans.

Turn off power at the breaker. Wire up all fans. Turn on power at the breaker. All fans are now paired individually.



Model #: TR249A+DC8 (with light function)

DC POWER CEILING FAN REMOTE CONTROL INSTRUCTION MANUAL AND INSTALLATION INSTRUCTIONS

Input: 120VAC 60Hz power supply only.
Output: 40W (Max.) for Motor
30W (Max) for Light (LED)
Operating Range: Approx 10 Meters

